



**ET 338-104**  
**Elite Tweeter,**  
**Ø 104mm, 8Ω**

**SPECIFICATIONS**

| <b>General Data</b>          |            |                                |
|------------------------------|------------|--------------------------------|
| Overall Dimensions           | <b>DxH</b> | 104mm(4.09")x66mm(2.59")       |
| Nominal Power Handling (DIN) | <b>P</b>   | 200W                           |
| Transient Power 10ms         |            | 1000W                          |
| Sensitivity 1W/1M            |            | 92.5dB SPL                     |
| Frequency Response           |            | 1,800-20,000 Hz                |
| Cone/Dome Material           |            | Acuflex™ hand coated soft dome |
| Net Weight                   | <b>Kg</b>  | 1.08                           |

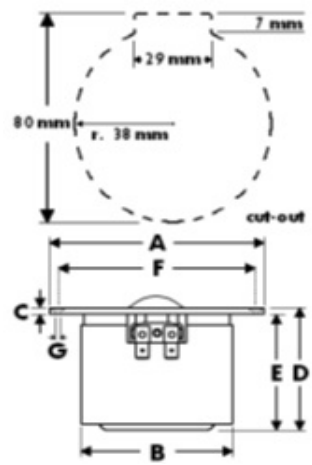
| <b>Electrical Data</b>       |            |        |
|------------------------------|------------|--------|
| Nominal Impedance            | <b>Z</b>   | 8Ω     |
| DC Resistance                | <b>Re</b>  | 5.2Ω   |
| Voice Coil Inductance @ 1KHz | <b>LBM</b> | 0.09mH |

| <b>Voice Coil and Magnet Parameters</b> |            |                    |
|---|------------|--------------------|
| Voice Coil Diameter                     | <b>DIA</b> | 28mm               |
| Voice Coil Height                       |            | 2.7mm              |
| HE Magnetic Gap Height                  | <b>HE</b>  | 2.5mm              |
| Max. Linear Excursion                   | <b>X</b>   |                    |
| Voice Coil Former                       |            | Aluminum           |
| Voice Coil Wire                         |            | Hexatech™ Aluminum |
| Number Of Layers                        |            | 2                  |
| Magnet System Type                      |            | Triple Ferrite     |
| B Flux Density                          | <b>B</b>   | 1.95 T             |
| BL Product                              | <b>BXL</b> | 6.3 N.A            |

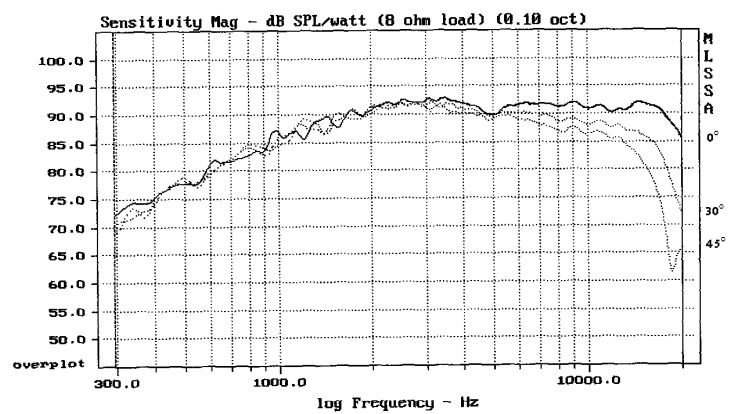
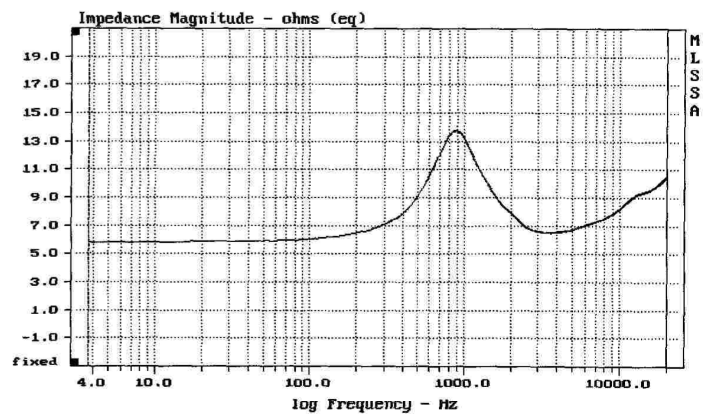
| <b>T-S Parameters</b>     |            |                     |
|---------------------------|------------|---------------------|
| Suspension Compliance     | <b>Cms</b> |                     |
| Mechanical Q Factor       | <b>Qms</b> |                     |
| Electrical Q Factor       | <b>Qes</b> |                     |
| Total Q Factor            | <b>Qts</b> |                     |
| Mechanical Resistance     | <b>Rms</b> |                     |
| Moving Mass               | <b>Mms</b> | 0.44 g              |
| Eq. Cas Air Load (liters) | <b>VAS</b> |                     |
| Resonant Frequency        | <b>Fs</b>  | 700 Hz 10%          |
| Effective Piston Area     | <b>SD</b>  | 6.0 cm <sup>2</sup> |

- Features**
- \* 104mm IDR™ Improved Dispersion Recess
  - \* Aluminum Face Plate
  - \* Large Hexatech™ aluminum voice coil
  - \* Replaceable Acuflex™ dome / coil assembly
  - \* Triple magnet system
  - \* High power handling
  - \* Sturdy gold plated input tags

**Unit Dimensions**



|  |              |
|--|--------------|
| A - Overall diameter                   | 104mm        |
| B - Magnet/Chamber diameter            | 76mm         |
| C - Flange thickness                   | 3mm          |
| D - Overall height                     | 66mm         |
| E - Magnet/Chamber depth               | 63mm         |
| F - Mounting holes location diameter   | 94mm         |
| G - 6 Mounting holes, at 60° interval, |              |
| inner hole diameter                    | Ø 3.7mm      |
| pocket                                 | h 1mm, Ø 7mm |



Faceplate finish available in either Black or Silver

Morel operate policy of continuous product design improvement, consequently specifications are subject to alteration without prior notice.